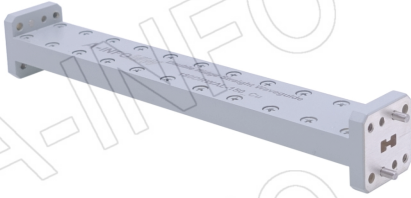


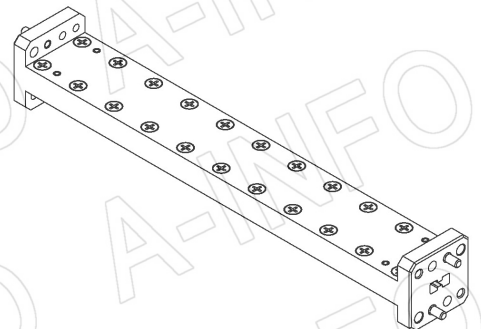
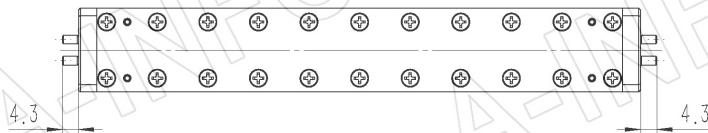
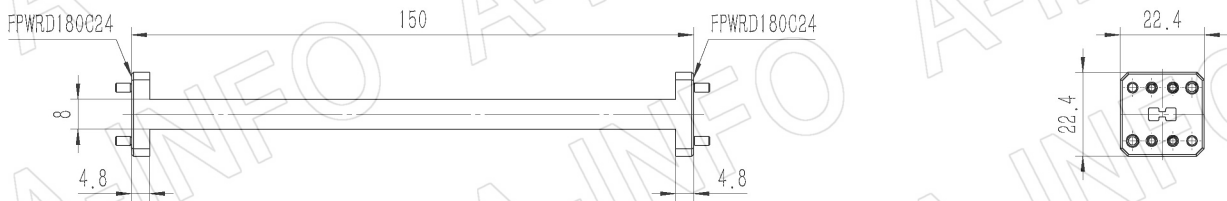
For reference only. See data sheet for the detailed specifications.

Technical Specification



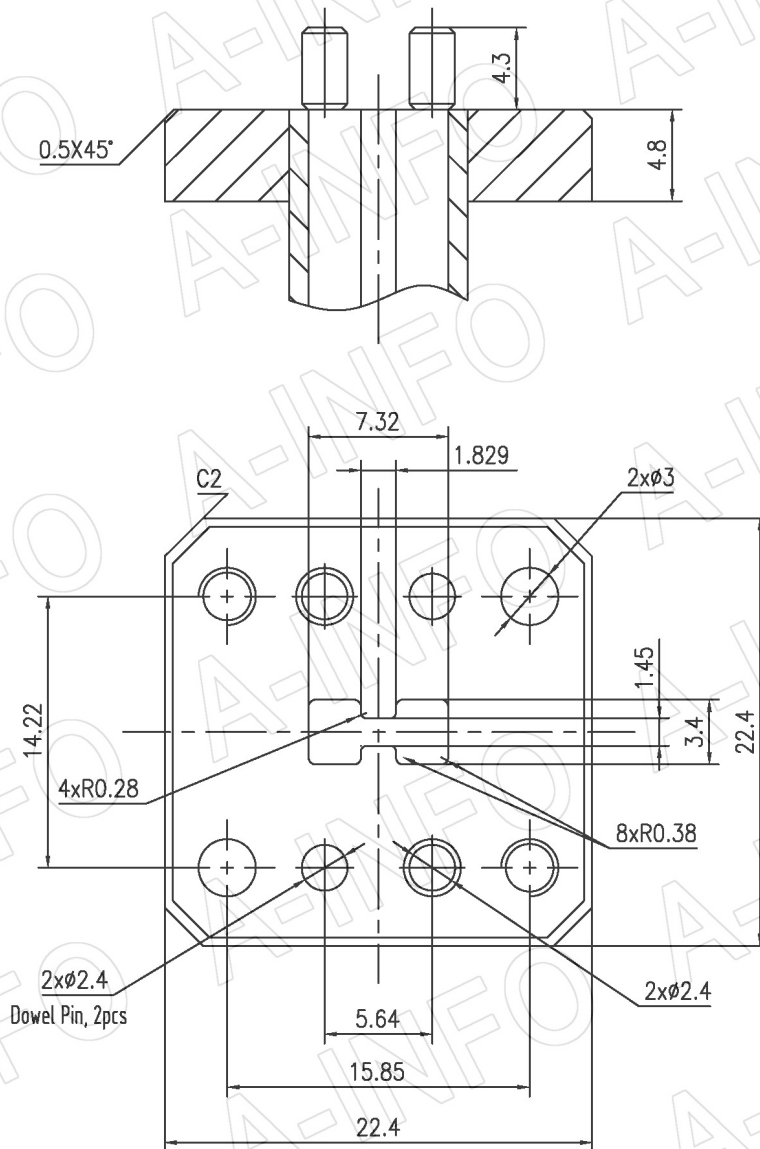
EIA WRD	WRD180
Frequency Range(GHz)	18.0 – 40.0
Length(mm)	150
Insertion Loss(dB)	0.3 Max.
VSWR	1.15:1 Max.
Flange	FPWRD180C24
Material	Cu
Finish	Silver Plated, Gray Paint
Size(mm)	150 x 22.4 x 22.4
Net Weight(Kg)	0.22 Around

Outline Drawing (Size: mm)



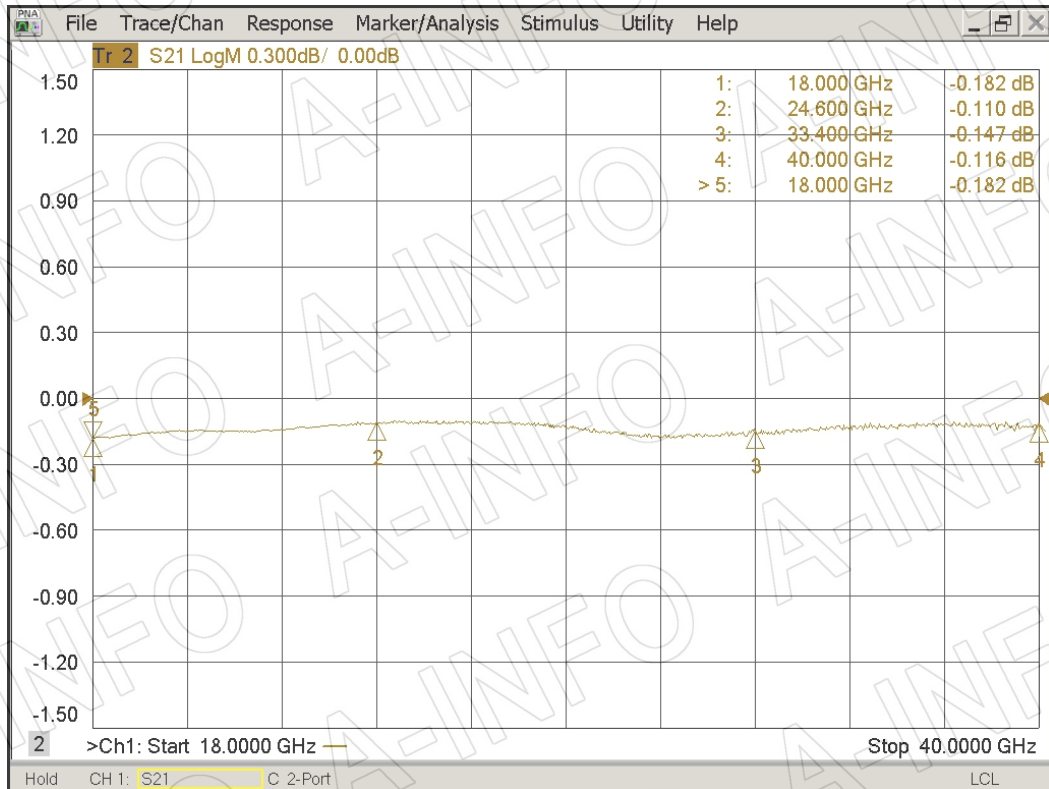
Flange Drawing (Size: mm)

FPWRD180C24 (With two through mounting holes and two screws holes)



Test Results

I.L.



VSWR

